



NIMET

NICHRIST INSTITUTE

With Determination Comes Success

NICHRIST INSTITUTE OF MANAGEMENT AND ENGINEERING TECHNOLOGY

SPECIAL OFFER on SOLID WORKS !!

Course Content

Lesson 1: **SOLIDWORKS Basics and the User Interface**

Lesson 2: **Introduction to Sketching**

Lesson 3: **Basic Part Modelling**

Lesson 4: **Symmetry and Draft**

Lesson 5: **Patterning**

Lesson 6: **Revolved Features**

Lesson 7: **Shelling and Ribs**

Lesson 8: **Editing: Repairs**

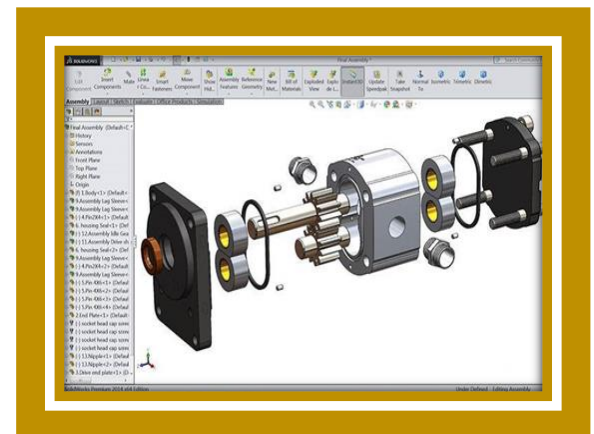
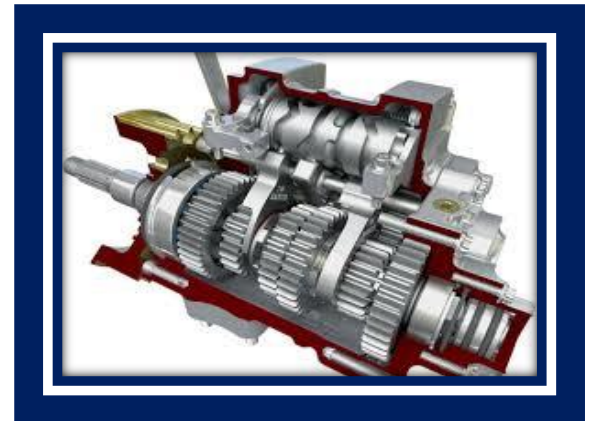
Lesson 9: **Editing: Design Changes**

Lesson 10: **Editing: Configurations**

Lesson 11: **Using Drawings**

Lesson 12: **Bottom-Up Assembly Modelling**

Lesson 13: **Using Assemblies**



Duration: 1 - 2 Weeks training

Registration: Ongoing

Fees: R3500.00

For more information contact us:-

Tel: 011 974 0341 or WhatsApp: 082 923 2490 and

Or Visit: www.nimet.co.za

